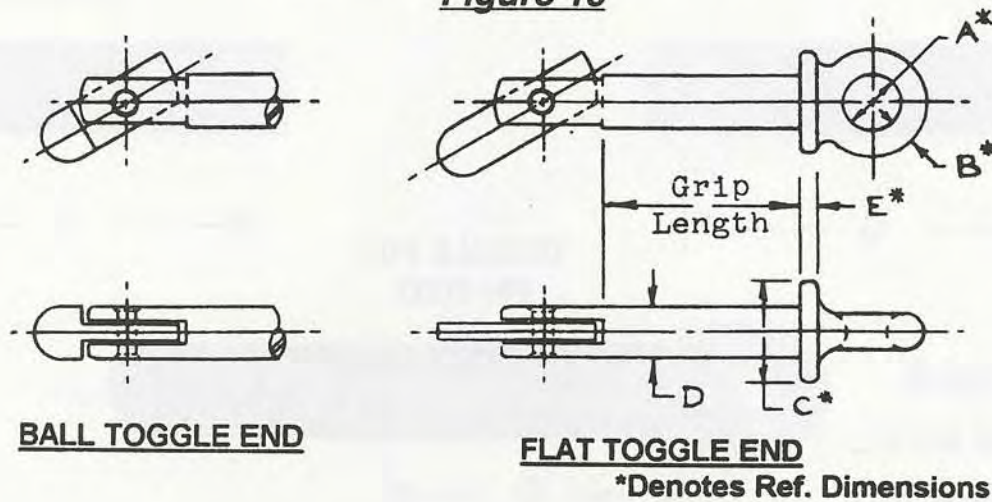


Toggle Pin - Eye Collar Type

Figure 15



When ordering please specify- Dia.-, Grip Length, Material Finish, Type of Toggle end, type and length of securing chain assembly.

eg. 4 ea. 1/4" dia. x 1 1/2" grip length- galv. steel, brass ball toggle end with brass clevis and chain assembly 8" long and galv. steel screw eye.

| DIA. | EYE | RING | COLLAR | COLLAR THICKNESS |
|-------|------|------|--------|------------------|
| (D) | (A) | (B) | (C) | (E) |
| 1/4 | 1/4 | 3/16 | 5/8 | 1/8 |
| 3/8 | 1/4 | 3/16 | 5/8 | 1/8 |
| 1/2 | 3/8 | 1/4 | 15/16 | 3/16 |
| 5/8 | 3/8 | 1/4 | 15/16 | 3/16 |
| 3/4 | 1/2 | 1/4 | 1 | 3/16 |
| 7/8 | 1/2 | 5/16 | 1-1/8 | 1/4 |
| 1 | 1/2 | 3/8 | 1-1/4 | 1/4 |
| 1-1/8 | 9/16 | 7/16 | 1-7/16 | 5/16 |
| 1-1/4 | 5/8 | 1/2 | 1-5/8 | 5/16 |
| 1-1/2 | 3/4 | 1/2 | 1-3/4 | 5/16 |

NOTE: All toggle pins are drop forged in the following metals: Naval Brass, Galv. Steel, Silicon, Stainless Steel, Bronze, Aluminum & Monel. Also special diameters and lengths are available.