

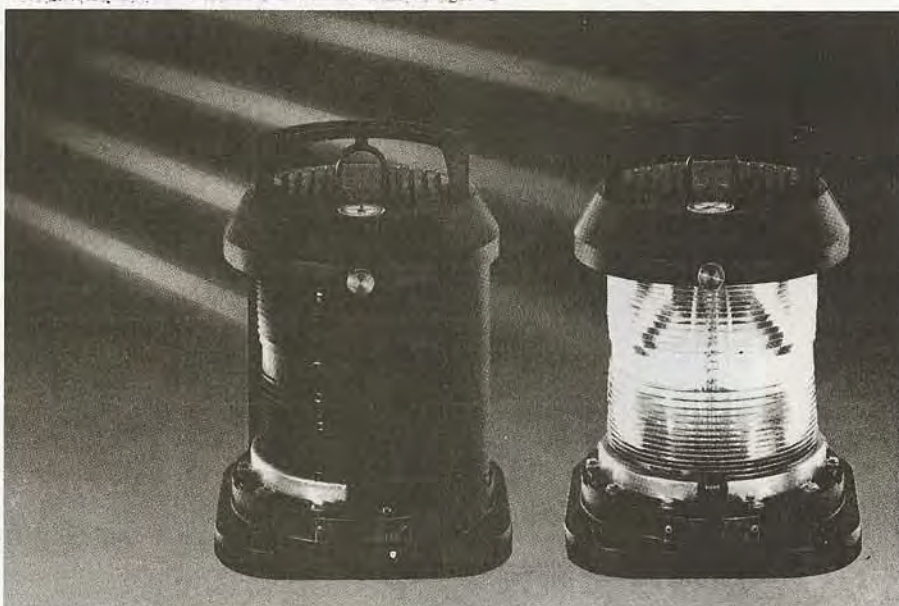
NAVIGATION LIGHTS AQUA SIGNAL 70



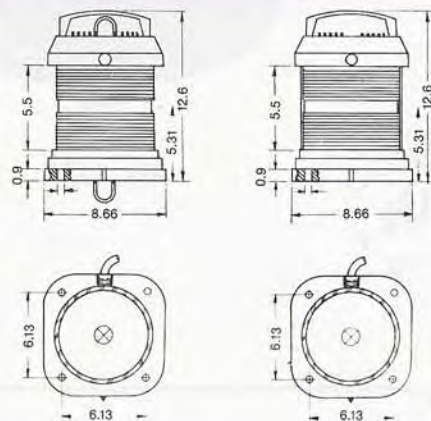
Special hoisting brackets guide the light between halyard hooks. To remove light just tilt. 3906001

NAVIGATION LIGHTS AQUA SIGNAL

- Application: All vessels > 65' in length and over, all waters (national and international according to IMO 1972)
- Approval: US Coastguard/Tested according to UL 595
- Housing: Polycarbonate, glass fibre reinforced, other components of non-corrosive materials. Housing self-ventilated, float controlled drain valve. Non-magnetic, seawater resistant
- Housing color: Matte black
- Protection class: IP 56
- Optics: Easy to change, seawater resistant, Polycarbonate-Fresnel lens
- Min. visibilities: 3 n. m., masthead light 6 n. m., morse/manœuvre 5 n. m.
- Bulb (not included): Easy to change, special tungsten bulb with bayonet type P 28. Available bulbs see list, specify voltage when ordering
- Electrical installation: Comes with approximately 5' 16 G standard marine cable (2-core)
- Cable insert: Special cable gland with pressure screw M 24 x 1.5 with protections against buckling
- Mounting: Base flange attachment, 4 holes provided (dia: 0.43") Allround lights may also be hoisted. Additional mounting aids see drawing
- Special features: Marine brass "halyard hooks" for hoistable lights available, which allow removal from guiding wires without their disengagement or slackening ever (Item No. 3906001)



Type		Item No.
Bulb to be ordered seperately 24 V, 110 V, 220 V		
6.8 lbs	Starboard	3073109
	Port	3074209
6.4 lbs	Masthead	3071009
	Stern	3072709
	Stern yellow	3072499
6.0 lbs	Allround white	3070009
	Allround red	3070209
	Allround green	3070109
	Allround yellow	3070499



All dimensions in inches

Spare Parts/*Extras

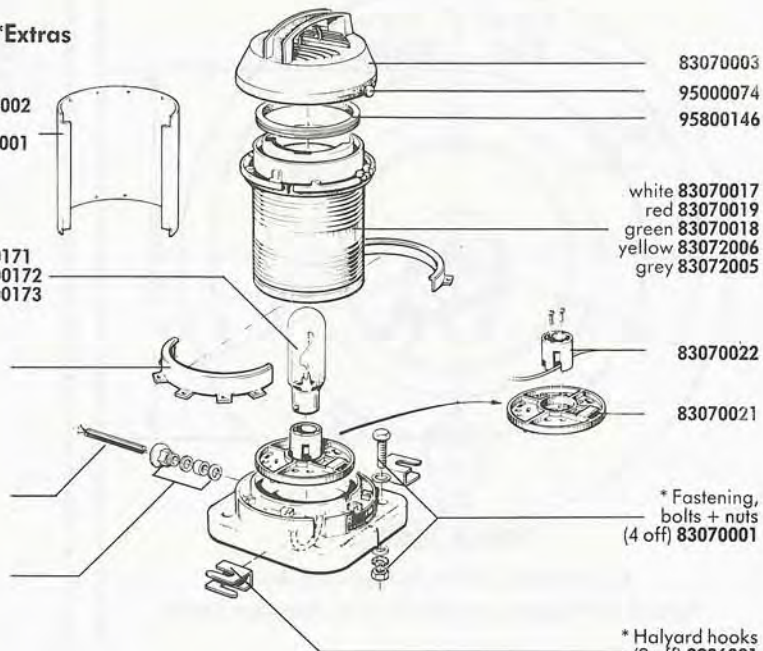
- Starboard 23073002
- Port 23074001
- Masthead 23071001
- Stern 23072001

- 24 V/40 W 90400171
- 110 V/60 W 90400172
- 220 V/65 W 90400173

63070049

23070074

83070009



* Fastening, bolts + nuts (4 off) 83070001

* Halyard hooks (2 off) 3906001