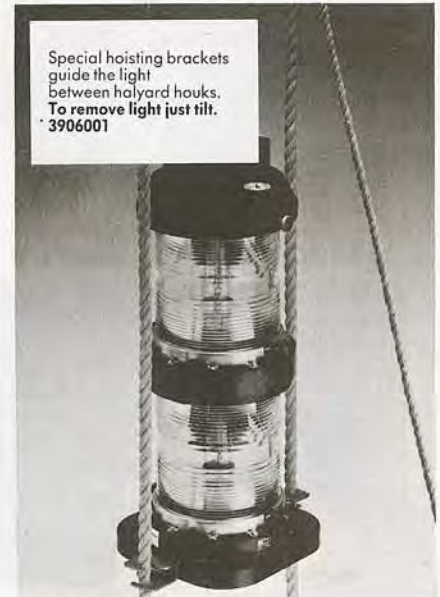


NAVIGATION LIGHTS

AQUA SIGNAL 70 D



NAVIGATION LIGHTS  
AQUA SIGNAL 70 D

■ Application: All vessels >65' in length and over, all waters (national and international according to IMO 1972)

■ Approval: US Coastguard / Tested according to UL 595

■ Housing: Polycarbonate, glass fibre reinforced, other components of non-corrosive materials. Housing self-ventilated, float controlled drain valve. Non-magnetic, seawater resistant

■ Housing color: Matte black

■ Protection class: IP 56

■ Optics: Easy to change, seawater resistant, Polycarbonate-Fresnel lens

■ Min. visibilities: 3 n. m., masthead light 6 n. m., morse/manoeuvre 5 n. m.

■ Bulb (not included): Easy to change, special tungsten bulb with bayonet type P 28. Available bulbs see list, specify voltage when ordering

■ Electrical installation: Comes with approximately 5' 16 G standard marine cable (2-core)

■ Cable insert: 2 special cable glands with pressure screw M 24x1.5 with protections against buckling

■ Mounting: Base flange attachment, 4. holes provided (dia: 0.43")

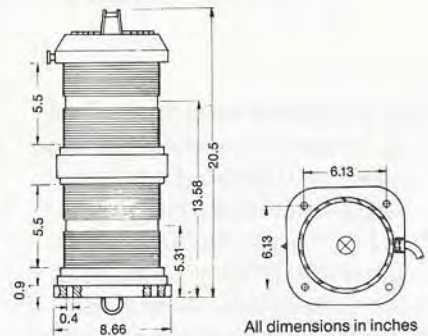
Allround lights may also be hoisted. Additional mounting aids see drawing

■ Special features: Marine brass "halyard hooks" for hoistable lights available, which allow removal from guiding wires without their disengagement or slackening ever

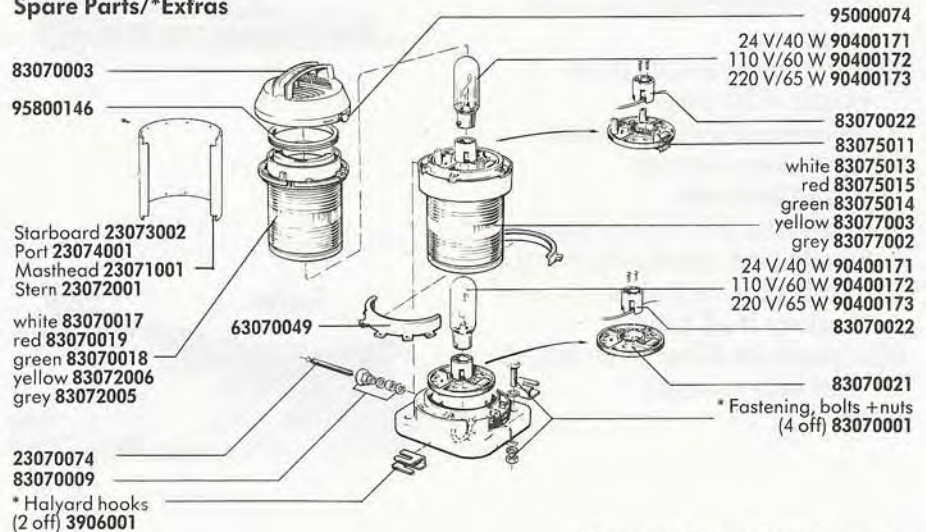
(Item No. 3906001)

Type	Bulb(s) to be ordered separately	Item No.	
13.0 lbs	Starboard	3079109	Voltages to be specified 24 V, 110 V, 220 V (Upper light = main light; lower light = spare light may be operated in different voltages)
	Port	3078209	
	Masthead	3076009	
	Stern	3077709	
13.0 lbs	Stern yellow	3077499	
	Allround white	3075009	
	Allround red	3075209	
	Allround green	3075109	
	Allround yellow	3075499	
	Allround green/red	3075*	
	Allround red/white	3075*	
	Allround red/green	3075*	

\* On special request only



Spare Parts/\*Extras



\* Extras not included in standard version