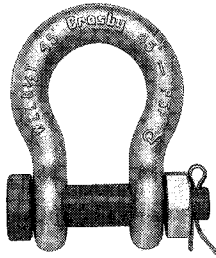


# Crosby® Bolt-Type Shackles

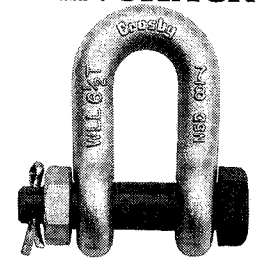
## BOLT TYPE ANCHOR SHACKLE



**G-2130 S-2130**

Bolt Type Anchor shackles with thin head bolt — nut with cotter pin. Meets the requirements of Federal Specification RR-C-271D Type IVA, Grade A, Class 3.

## BOLT TYPE CHAIN SHACKLE



**G-2150 S-2150**

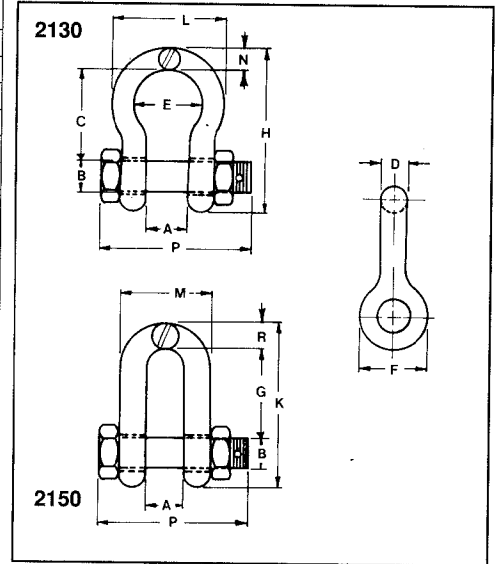
Bolt Type Chain shackles. Thin hex head bolt — nut with cotter pin. Meets the requirements of Federal Specification RR-C271D Type IVB, Grade A, Class 3.

- Working Load Limit permanently shown on every shackle.
- Forged — Quenched and Tempered, with alloy pins.
- Capacities 1/3 thru 150 tons.
- Look for the red pin . . . the mark of genuine Crosby quality.
- Shackles can be furnished proof tested with certificates to designated standards, such as ABS, DNV, Lloyds, or other certification. Charges for proof testing and certification available when requested at time of order.
- Hot Dip galvanized or Self Colored.
- Fatigue rated.



Nominal Shackle Size (in.)	Working Load Limit * (tons)	Stock No.				2130 Weight Each (lbs.)	2150 Weight Each (lbs.)
		G-2130 Galv.	S-2130 S.C.	G-2150 Galv.	S-2150 S.C.		
3/16	1/3	1019464	—	—	—	.06	—
1/4	1/2	1019466	—	1019768	—	.17	.13
5/16	3/4	1019468	—	1019770	—	.22	.23
3/8	1	1019470	—	1019772	—	.33	.33
7/16	1 1/2	1019471	—	1019774	—	.49	.49
1/2	2	1019472	1019481	1019775	1019784	.79	.75
5/8	3 1/4	1019490	1019506	1019793	1019800	1.68	1.47
3/4	4 3/4	1019515	1019524	1019819	1019828	2.72	2.52
7/8	6 1/2	1019533	1019542	1019837	1019846	3.95	3.85
1	8 1/2	1019551	1019560	1019855	1019864	6.12	5.55
1 1/8	9 1/2	1019579	1019588	1019873	1019882	8.27	7.60
1 1/4	12	1019597	1019604	1019891	1019908	11.71	10.81
1 3/8	13 1/2	1019613	1019622	1019917	1019926	15.83	13.75
1 1/2	17	1019631	1019640	1019935	1019944	20.80	18.50
1 3/4	25	1019659	1019668	1019953	1019962	33.91	31.40
2	35	1019677	1019686	1019971	1019980	52.25	46.75
2 1/2	55	1019695	1019702	1019999	1020004	98.25	85.00
3	† 85	1019711	—	1020013	—	154.00	124.25
3 1/2	†120	1019739	—	—	—	265.00	—
4	†150	1019757	—	—	—	338.00	—

Load Rated



Nominal Shackle Size (in.)	Working Load Limit * (tons)	Dimensions (in.)														Tolerance +/-	
		A	B	C	D	E	F	G	H	K	L	M	N	P	R	C&G	A
3/16	1/3	.38	.25	.88	.19	.60	.56	—	1.47	—	.98	—	.19	1.29	—	.06	.06
1/4	1/2	.47	.31	1.13	.25	.78	.61	—	1.84	—	1.28	—	.25	1.56	—	.06	.06
5/16	3/4	.53	.38	1.22	.31	.84	.75	—	2.09	—	1.47	—	.31	1.82	—	.06	.06
3/8	1	.66	.44	1.44	.38	1.03	.91	—	2.49	—	1.78	—	.38	2.17	—	.13	.06
7/16	1 1/2	.75	.50	1.69	.44	1.16	1.06	—	2.91	—	2.03	—	.44	2.51	—	.13	.06
1/2	2	.81	.63	1.88	.50	1.31	1.19	1.63	3.28	3.03	2.31	1.81	.50	2.80	.50	.13	.06
5/8	3 1/4	1.06	.75	2.38	.63	1.69	1.50	2.00	4.19	3.75	2.94	2.31	.69	3.53	.63	.13	.06
3/4	4 3/4	1.25	.88	2.81	.75	2.00	1.81	2.38	4.97	4.53	3.50	2.75	.81	4.07	.81	.25	.06
7/8	6 1/2	1.44	1.00	3.31	.88	2.28	2.09	2.81	5.83	5.33	4.03	3.19	.97	4.71	.97	.25	.06
1	8 1/2	1.69	1.13	3.75	1.00	2.69	2.38	3.19	6.56	5.94	4.69	3.69	1.06	5.31	1.00	.25	.06
1 1/8	9 1/2	1.81	1.25	4.25	1.13	2.91	2.69	3.58	7.47	6.78	5.16	4.06	1.25	5.09	1.25	.25	.06
1 1/4	12	2.03	1.38	4.69	1.25	3.25	3.00	3.94	8.25	7.50	5.75	4.53	1.38	6.51	1.38	.25	.06
1 3/8	13 1/2	2.25	1.50	5.25	1.38	3.63	3.31	4.38	9.16	8.28	6.38	5.38	1.62	7.73	1.62	.25	.13
1 1/2	17	2.38	1.63	5.75	1.50	3.88	3.63	4.81	10.00	9.06	6.88	5.38	1.62	7.73	1.62	.25	.13
1 3/4	25	2.88	2.00	7.00	1.75	5.00	4.19	5.75	12.34	10.97	8.86	6.38	2.25	9.05	2.12	.25	.13
2	35	3.25	2.25	7.75	2.00	5.75	4.81	6.75	13.68	12.28	9.97	7.25	2.40	10.41	2.00	.25	.13
2 1/2	55	4.13	2.75	10.50	2.62	7.25	5.69	8.00	17.84	14.84	12.87	9.38	3.13	13.56	2.62	.25	.25
3	† 85	5.00	3.25	13.00	3.00	7.88	6.50	8.50	21.50	16.88	14.36	11.00	3.62	16.50	3.50	.25	.25
3 1/2	†120	5.25	3.75	14.63	3.62	9.00	8.00	—	24.63	—	16.50	—	4.12	19.00	—	.25	.25
4	†150	5.50	4.25	14.50	4.10	10.00	9.00	—	25.69	—	18.42	—	4.56	19.75	—	.25	.25