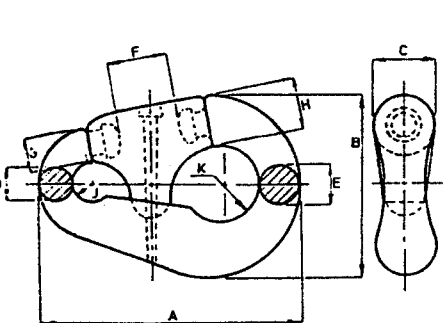
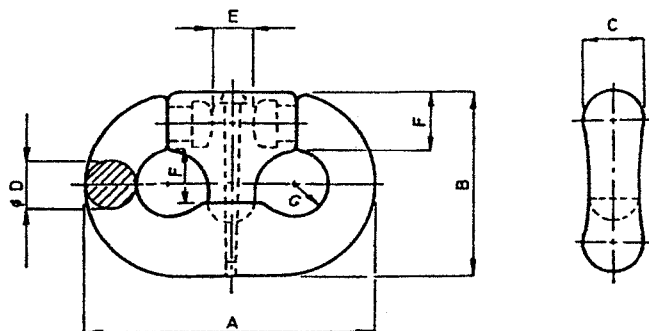


ANCHOR CONNECTING LINK (PEAR LINK)

No	CHAIN SIZE		A	B	C	D	E	F	G	H	J	K	WEIGHT		PROOF TEST	BREAK TEST
	mm	inches											kg	lbs		
													KGf	KGf		
2	19-24	3/4 - 15/16	194	132	38	24	32	57	24	35	17	30	3.6	8.0	34000	48500
3	25-30	1 - 1-3/16	238	167	46	30	38	66	33	45	19	35	6.5	14.0	53000	75700
4	32-40	1-1/4 - 1-9/16	299	208	59	40	48	83	40 x 45	56	26	43	14.5	32.0	91400	131000
5	42-51	1-5/8 - 2	378	260	76	51	64	100	51 x 60	74	32	52	27.0	60.0	145400	207700
6	52-60	2-1/16 - 2-3/8	454	313	92	60	76	121	62 x 73	88	37	64	49.0	107.0	199600	285200
7	62-79	2-7/16 - 3-1/8	562	376	121	79	95	149	86 x 79	111	48	76	92.0	203.0	332100	474500
8	81-92	3-3/16 - 3-5/8	654	419	133	92	124	149	111 x 102	130 x 133	54	79	149.0	328.0	434800	621200
9	94-95	3-11/16 - 3-3/4	692	435	146	98	130	159	124 x 137	141	57	83	236.0	520.0	462300	660100
10	97-102	3-13/16 - 4	889	572	191	121	165	191	130 x 148	181	73	108	386.0	850.0	522100	746000
11	103-108	4-1/16 - 4-1/4	940	610	203	127	175	203	156	200	76	111	418.0	920.0	577000	825100
12	110-114	4-5/16 - 4-1/2	991	948	216	133	184	216	165 x 167	210 x 200	105	114	459.0	1010.0	637300	910900



ANCHOR CONNECTING LINK
PEAR LINK



DETACHABLE CHAIN CONNECTING LINK

DETACHABLE CHAIN CONNECTING LINK

CHAIN SIZE		A	B	C	D	E	F	G	WEIGHT		PROOF TEST	BREAK TEST
mm	inches								kg	lbs		
									KGf	KGf		
24-25	15/16 - 1	152	102	35	25	29	31	17	2.3	5.1	38000	54300
27-29	1-1/16 - 1-1/8	172	114	40	29	32	35	19	3.3	7.3	49200	70400
30-32	1-3/16 - 1-1/4	191	127	44	32	36	39	21	4.6	10.1	59500	84900
33-35	1-5/16 - 1-3/8	210	140	48	35	40	43	23	6.2	13.7	70700	101300
36-39	1-7/16 - 1-1/2	229	152	53	38	43	47	26	7.9	17.4	83300	118900
40-42	1-9/16 - 1-5/8	248	165	57	42	47	50	28	10.0	22.0	102000	143400
43-44	1-11/16 - 1-3/4	267	178	62	45	50	56	30	12.5	27.6	111900	159900
46-48	1-13/16 - 1-7/8	286	191	64	48	55	60	32	14.5	32.0	130000	185100
50-51	1-15/16 - 2	305	197	64	51	59	64	34	16.3	35.9	145400	207700
52-54	2-1/16 - 2-1/8	324	209	67	54	63	68	36	20.0	44.1	162000	231500
56-58	2-3/16 - 2-1/4	343	222	71	58	66	71	38	23.6	52.0	185400	265000
59-60	2-5/16 - 2-3/8	364	235	78	61	70	76	41	28.0	61.7	199600	285200
62-64	2-7/16 - 2-1/2	381	246	79	64	74	79	43	32.2	71.0	223000	319000
66-67	2-9/16 - 2-5/8	400	259	83	67	77	83	45	37.0	81.6	242900	347000
68-70	2-11/16 - 2-3/4	419	271	87	70	81	87	47	45.0	99.2	263500	376400
71-73	2-13/16 - 2-7/8	438	283	91	73	85	91	49	49.0	108.0	285000	407000
75-76	2-15/16 - 3	457	296	95	76	88	95	51	55.0	121.0	308200	440200
78-79	3-1/16 - 3-1/8	476	308	99	79	92	99	53	63.0	139.0	332100	474500
81-83	3-3/16 - 3-1/4	495	320	103	83	96	103	55	73.0	161.0	360400	514800
84-86	3-5/16 - 3-3/8	514	333	107	86	99	107	57	80.0	176.0	384400	549100
87-89	3-7/16 - 3-1/2	533	345	111	89	103	111	60	93.0	205.0	409000	584300
90-92	3-9/16 - 3-5/8	553	357	115	92	107	115	62	97.6	215.0	434800	621200
94-95	3-11/16 - 3-3/4	572	370	119	95	111	119	64	116.2	256.0	462300	660100
97-98	3-13/16 - 3-7/8	591	382	128	98	114	123	66	123.0	271.0	490000	700000
100-102	3-15/16 - 4	610	394	132	102	118	127	68	131.0	289.0	522100	746000
105	4-1/8	629	419	147	105	127	132	70	175.0	386.0	550000	785000
111	4-3/8	667	456	167	111	138	140	75	208.0	459.0	607000	867200
114	4-1/2	686	480	190	114	147	144	77	227.0	500.0	637300	910900