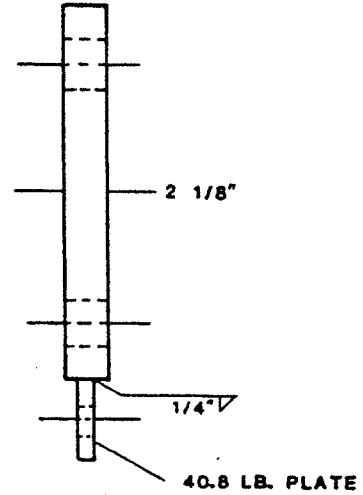
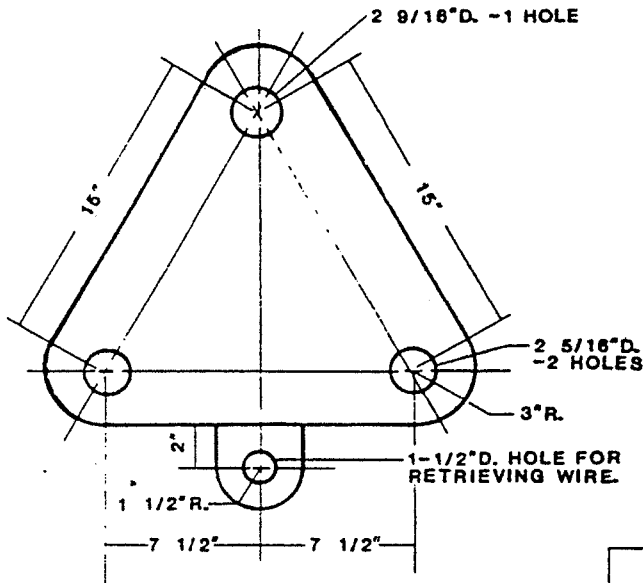


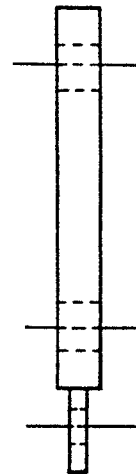
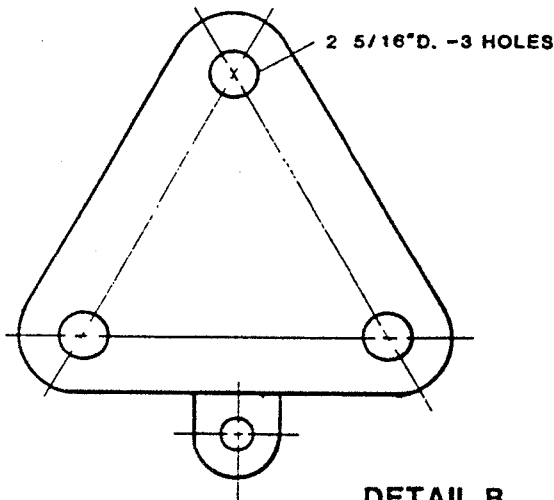
SL740-AA-MAN-010



**DETAIL A  
FLOUNDER PLATE  
MEDIUM STEEL**

**NOTE**  
IN NO CASE SHOULD DIAMETER OF FLOUNDER PLATE HOLES BE MORE THAN 1/8" LARGER THAN THE SHACKLE PIN DIAMETER. A 1/16" CLEARANCE ON DIAMETER IS PREFERRED.

FOR USE WITH 2 1/2" PIN SHACKLE AND TWO 2 1/4" SHACKLES



**DETAIL B  
FLOUNDER PLATE  
MEDIUM STEEL**

SIMILAR TO DETAIL "A" EXCEPT AS NOTED.  
ABS GRADE A, ASTM A-36 OR EQUAL