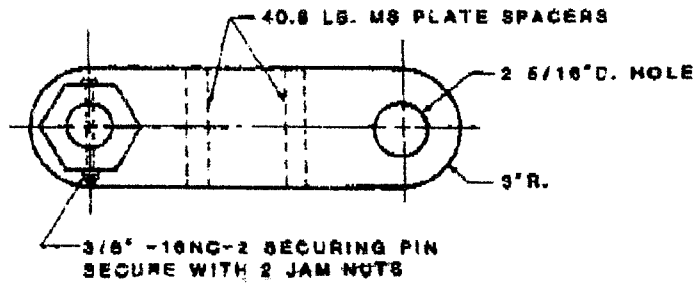
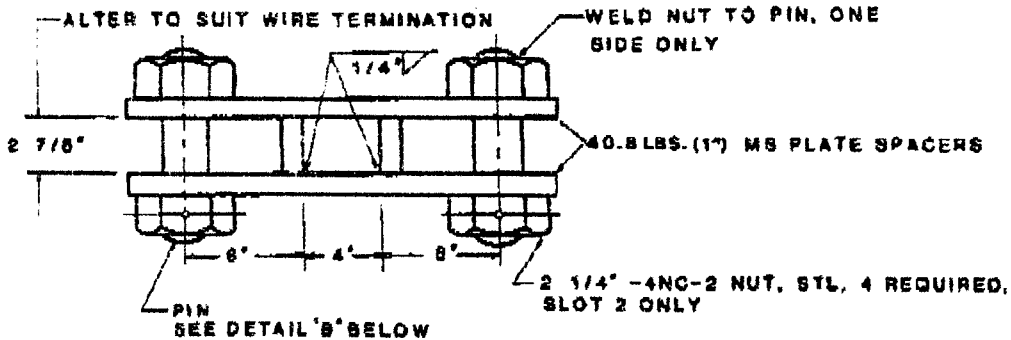
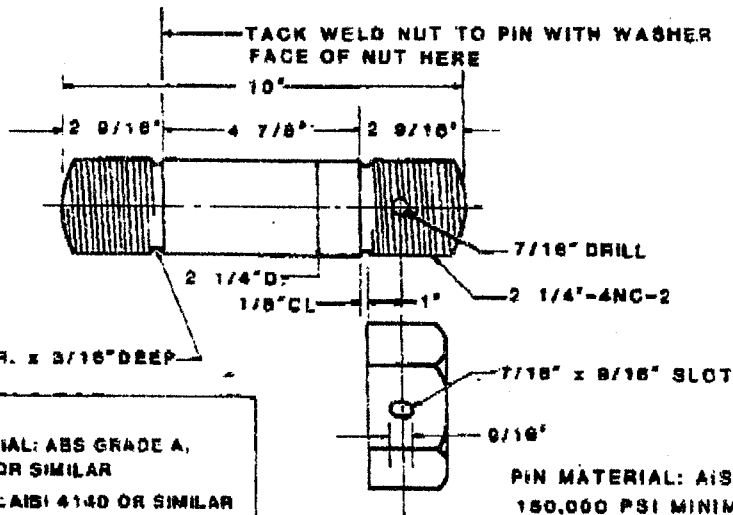


SL740-AA-MAN-010



DETAIL A
PLATE SHACKLE FOR 1-5/8" D. WIRE ROPE



- NOTES:**
1. PLATE MATERIAL: ABS GRADE A, ASTM A-36, OR SIMILAR
 2. PIN MATERIAL: AISI 4140 OR SIMILAR 150,000 PSI MINIMUM YIELD.

PIN MATERIAL: AISI 4140 OR SIMILAR
150,000 PSI MINIMUM YIELD.

DETAIL B
SHACKLE PIN - 2 REQUIRED