

Tripods



- Choice of adjustable & fixed height models
- Aluminum alloy or steel construction
- Over 62 models in stock

Aluminum Alloy Adjustable Height

Capacity	A Height - Eye Bolt to Floor		B Overall Length		C Distance Between Legs		Net Wt.	Price	MODEL NUMBER
	Max.	Min.	Max.	Min.	Max.	Min.			
1 TON	5' 6"	3' 8"	6' 9"	4' 9"	57"	33"	49		3-242
	8' 2"	5' 6"	9' 9"	6' 9"	84"	48"	58		3-262
	10' 10"	7' 1"	12' 9"	8' 9"	111"	63"	67		3-282
	13' 8"	9' 2"	15' 9"	10' 9"	138"	78"	147		3-2102
	16' 4"	11' 0"	18' 9"	12' 9"	165"	93"	168		3-2122
2 TON	5' 6"	3' 8"	6' 9"	4' 9"	57"	33"	57		3-442
	8' 2"	5' 6"	9' 9"	6' 9"	84"	48"	66		3-462
	11' 0"	7' 5"	12' 9"	8' 9"	111"	63"	120		3-482
	13' 8"	9' 2"	15' 9"	10' 9"	138"	78"	155		3-4102
	16' 4"	11' 0"	18' 9"	12' 9"	165"	93"	176		3-4122
3 TON	5' 6"	3' 8"	6' 9"	4' 9"	57"	33"	65		3-642
	8' 2"	5' 6"	9' 9"	6' 9"	84"	48"	74		3-662
	10' 3"	6' 8"	12' 9"	8' 9"	111"	63"	120		3-682
	12' 11"	8' 5"	15' 9"	10' 9"	138"	78"	163		3-6102
4 TON	7' 6"	4' 11"	9' 9"	6' 9"	84"	48"	96		3-862
	10' 3"	6' 8"	12' 9"	8' 9"	111"	63"	128		3-882
	12' 11"	8' 5"	15' 9"	10' 9"	138"	78"	171		3-8102
5 TON	7' 6"	4' 11"	9' 9"	6' 9"	84"	48"	104		3-1062
	10' 3"	6' 8"	12' 9"	8' 9"	111"	63"	138		3-1082

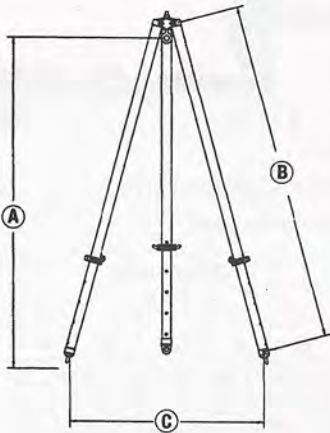
Aluminum Alloy Fixed Height

Capacity	A Height - Eye Bolt to Floor		B Overall Length	C Distance Between Legs		Net Wt.	Price	MODEL NUMBER
	Max.	Min.		Max.	Min.			
3/4 TON	12' 6"	12' 6"	14' 9"	128"	50			4-15142
1.5 TON	5' 4"	5' 4"	6' 9"	56"	30			4-3062
	8' 11"	8' 11"	10' 9"	92"	40			4-30102

Steel Adjustable Tripods

Capacity	A Height - Eye Bolt to Floor		B Overall Length		C Distance Between Legs		Net Wt.	Price	MODEL NUMBER
	Max.	Min.	Max.	Min.	Max.	Min.			
1 TON STEEL	8' 2"	5' 6"	9' 9"	6' 9"	84"	48"	130		3-261
	10' 10"	7' 1"	12' 9"	8' 9"	111"	63"	151		3-281
	13' 7"	9' 1"	15' 9"	10' 9"	138"	78"	187		3-2101
	15' 7"	10' 3"	18' 9"	12' 9"	165"	93"	214		3-2121
	19' 0"	12' 9"	21' 9"	14' 9"	192"	108"	394		3-2141
2 TON STEEL	8' 2"	5' 6"	9' 9"	6' 9"	84"	48"	138		3-461
	10' 10"	7' 1"	12' 9"	8' 9"	111"	63"	159		3-481
	13' 7"	9' 1"	15' 9"	10' 9"	138"	78"	195		3-4101
	16' 3"	10' 10"	18' 9"	12' 9"	165"	93"	222		3-4121
	19' 0"	12' 9"	21' 9"	14' 9"	192"	108"	402		3-4141
3 TON STEEL	8' 2"	5' 6"	9' 9"	6' 9"	84"	48"	146		3-661
	10' 10"	7' 1"	12' 9"	8' 9"	111"	63"	167		3-681
	13' 7"	9' 1"	15' 9"	10' 9"	138"	78"	203		3-6101
	15' 7"	10' 3"	18' 9"	12' 9"	165"	93"	450		3-6121
	18' 3"	12' 0"	21' 9"	14' 9"	192"	108"	410		3-6141

NOTE: Adjustable steel tripods available up to 8 ton capacity. Fixed height models available in 2 & 3 ton capacity.



Heights under eyebolt are figured for optimum strength, (C) not exceeding 75% of adjusted (B).



Machined alloy head holds free swiveling eye-bolt which always hangs plumb.



Spring-loaded bolt, on adjustable models, locks in "out" position.



Legs rest securely on standard base.



Lashing Kit provides an extra precaution against slipping and can be used with all bases.



#675 Rubber Base Pad Kit Includes: (3) 5" x 3" bases with rubber pads to protect floor surface. Provides ideal stability on all hard floor.



#1097 Mud Base Plate Kit Includes: (3) 12" square steel plates and provides additional leg support on all soft surfaces.



#676 Spike Base Kit Includes: (3) spikes and is designed for use on hard earth surfaces; may be used with mud base plate kit.