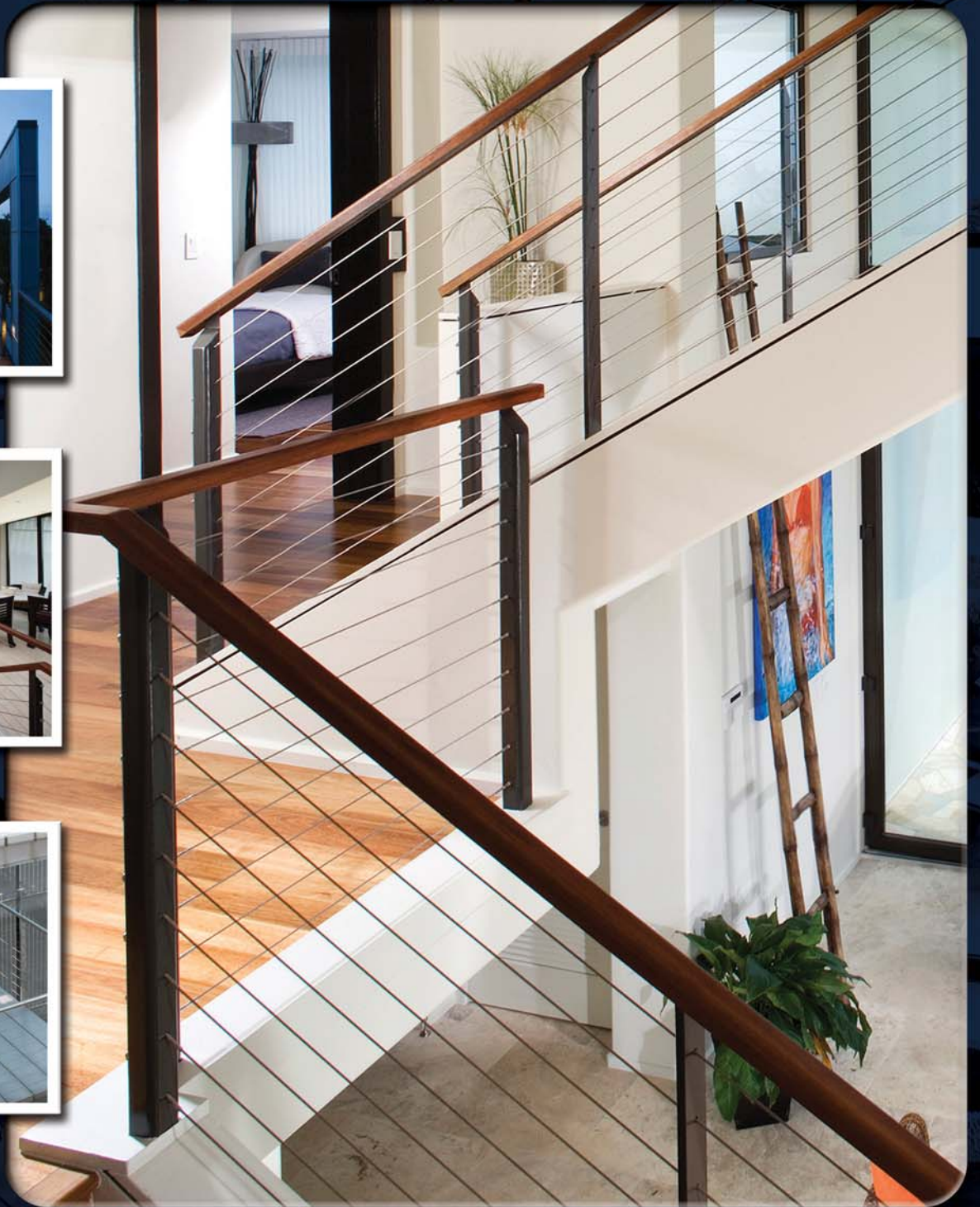


ELECTROLINE[®] ARCHITECTURAL



SWAGELESS RAILING ASSEMBLIES

HISTORY

Esmet's commitment to quality has continued since 1933 when Underwriters Laboratories tested the first Electroline termination. This original Electroline field-installable fitting continues to provide unmatched quality and service for many US Military, industrial, architectural, construction and marine applications.



Electroline Architectural is a **NEW** addition to the proven line of Esmet products and was specifically designed for cable railing applications. The ease of installation that is the Electroline hallmark coupled with the aesthetic design will provide years of low maintenance enjoyment.



WHY ELECTROLINE ARCHITECTUAL?

QUICK AND EASY

- On-site installation can be accomplished in minutes
- No special tools required for installation
- No heat, chemicals or pressure involved in installation

ATTRACTIVE

- Manufactured in the USA from 316 Stainless Steel
- Sleek, aesthetic design
- Field installable design eliminates swage marks

RELIABLE

- Over 60 years of proven performance in a wide variety of applications
- All fittings have a minimum 5:1 safety factor
- Designed specifically for 1x19 cable

VERSATILE

- Reusable components
- Many options to choose from
- Custom designs are available

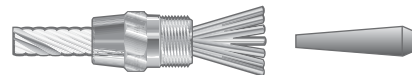
EASY ASSEMBLY

1. The SLEEVE, which slips over the end of the rope.
2. The PLUG, which is inserted to separate and hold the rope strands in the sleeve.
3. The covering SOCKET.

The combination of these three units literally locks the rope into a strong, solid assembly.



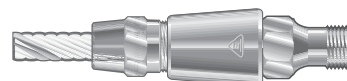
SLEEVE: Wire rope passed through sleeve.



SLEEVE & PLUG: Strands fanned out to insert plug.

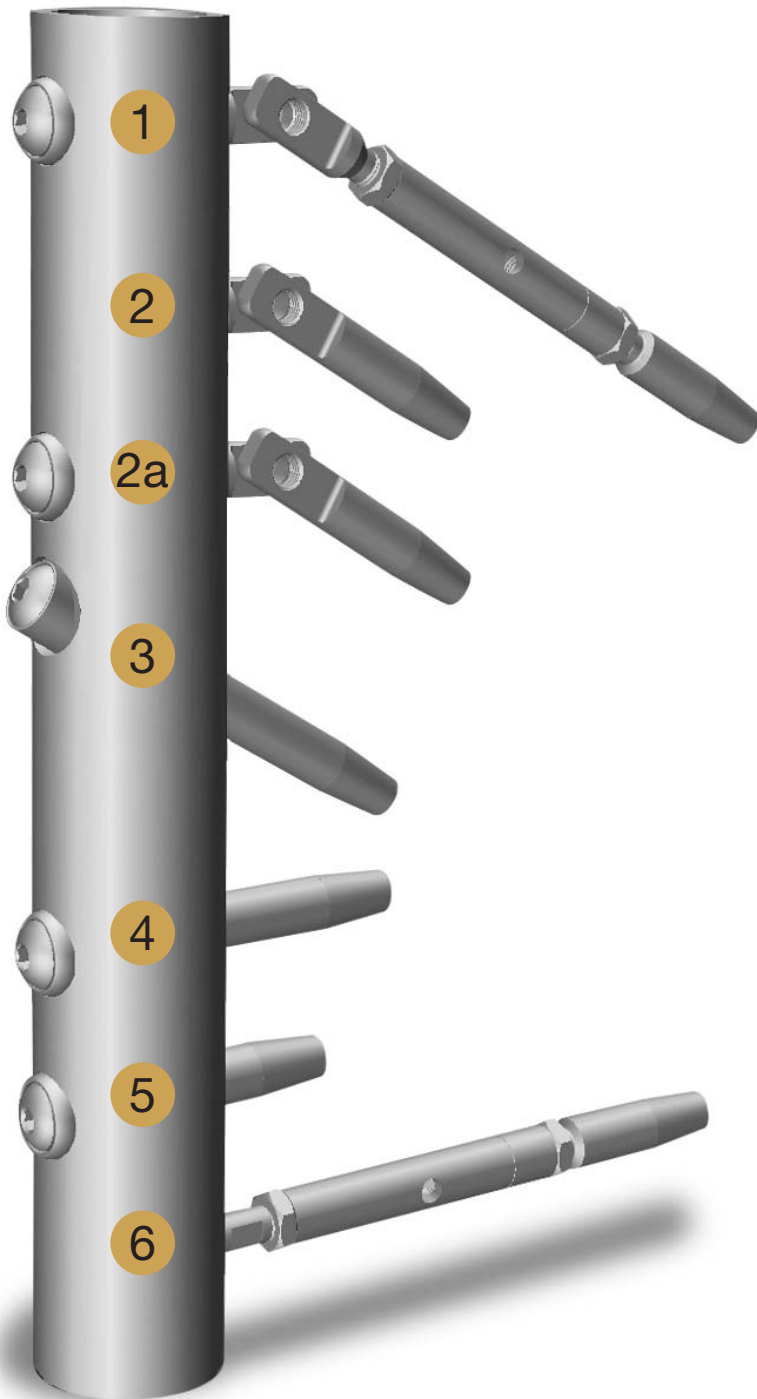


SLEEVE, PLUG & SOCKET: Plug driven in and strands closed to apply socket.




COMPLETED ASSEMBLY


ASSEMBLIES




- 
- 1** **Classic Turnbuckle with Eye Post Assembly**
Stairways and Long Straight Runs


- 
- 2** **Fixed Eye with Threaded Tab Assembly**
Stairways

- 
- 2a** **Fixed Eye with Eye Post Assembly**
Stairways with Cement Posts

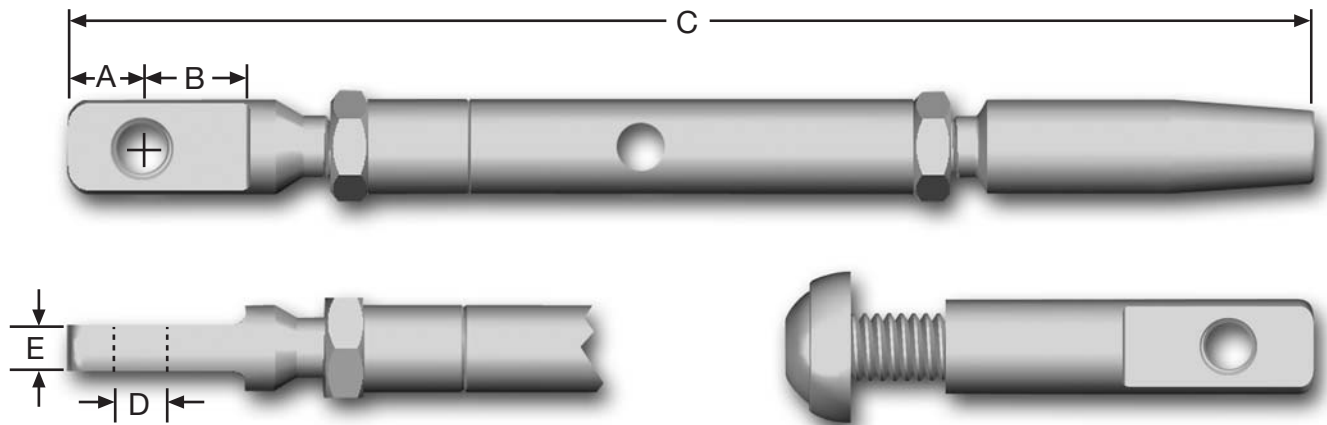
- 
- 3** **Turnbuckle Stud Assembly**
Stairways

- 
- 4** **Turnbuckle Stud Assembly**
Straight Railings

- 
- 5** **Fixed Stud Assembly**
Straight Railings

- 
- 6** **Classic Turnbuckle Assembly**
Straight Railings with Cement Posts

DIMENSIONS



CLASSIC TURNBUCKLE WITH EYE POST ASSEMBLY

Part #	Rope Size	A	B	C	D	E	Take-Up
1 CE-418-ST	3/16"	3/8"	1/2"	6-3/8"	1/4"-28	15/64"	2-1/8"
CE-425-ST	1/4"	7/16"	5/8"	7-1/4"	5/16"-24	15/64"	2-1/8"

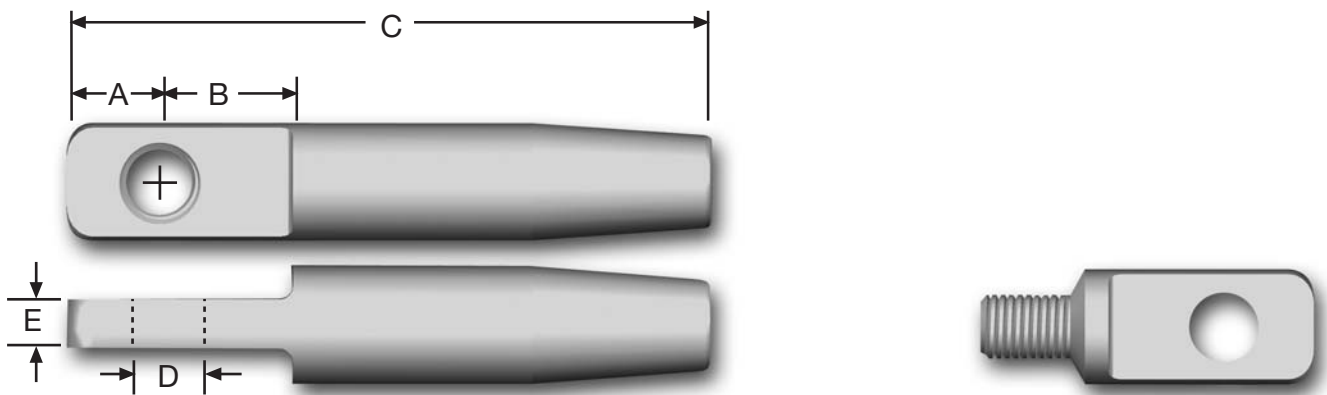
This tensioning fitting can be used for stairways and longer, straight runs of cable where take-up is required to obtain proper tension (see below). The turnbuckle will self-adjust for stairs or angled runs. An Eye Post Assembly is included.

Combine the classic turnbuckle with the following fittings based on the length of run:

0-25 feet: Combine with the Fixed Stud

26-75 feet: Combine with the Turnbuckle Stud

Over 75 feet: Combine with another Classic Turnbuckle

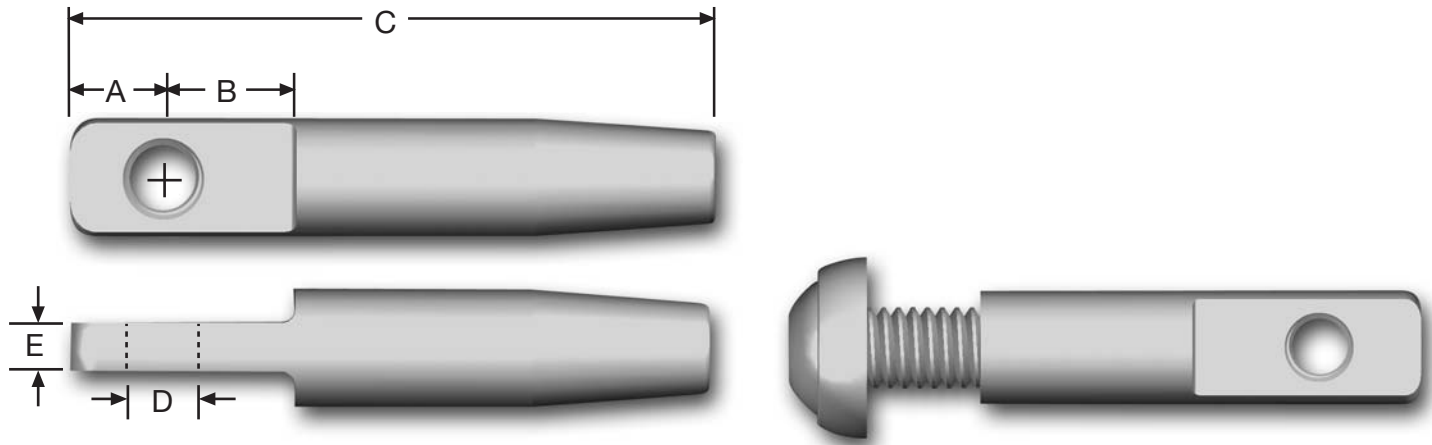


FIXED EYE WITH THREADED TAB ASSEMBLY

Part #	Rope Size	A	B	C	D	E
2 CE-218-THD	3/16"	3/8"	1/2"	2-7/16"	1/4"-28	15/64"
CE-225-THD	1/4"	7/16"	5/8"	3"	5/16"-24	15/64"

This non-tensioning fitting is used for stairways and angled runs. A Threaded Tab is included with this Eye Fitting Assembly.

Posts must be drilled and tapped to incorporate the threaded tab. This fitting can only be used when a minimum wall thickness of .250 is maintained. The hole must be drilled with an offset of 1/4" to maintain axial alignment for the threaded tab.

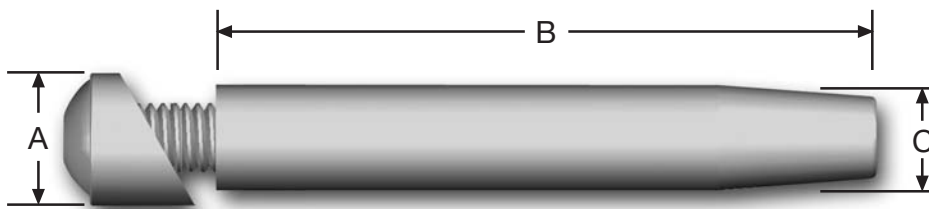


FIXED EYE WITH EYE POST ASSEMBLY

Part #	Rope Size	A	B	C	D	E
CE-218-FT	3/16"	3/8"	1/2"	2-7/16"	1/4"-28	15/64"
CE-225-FT	1/4"	7/16"	5/8"	3"	5/16"-24	15/64"

2a

This non-tensioning fitting is used for stairways and angled runs. An Eye Post Assembly is included with this Eye Fitting Assembly. The hole must be drilled with an offset of 1/4" to maintain axial alignment for the fixed tab.



TURNBUCKLE STUD ASSEMBLY

Part #	Rope Size	A	B	C	Take-Up
CE-418-ANG	3/16"	11/16"	3-7/16"	7/16"	1-1/2"
CE-425-ANG	1/4"	13/16"	3-13/16"	9/16"	1-1/2"

3

This tensioning fitting is used for stairways with runs of moderate length. For a clean look, the fitting is assembled inside the post. For assemblies with wooden posts, fender washers are necessary. (See "Replacement Parts".)

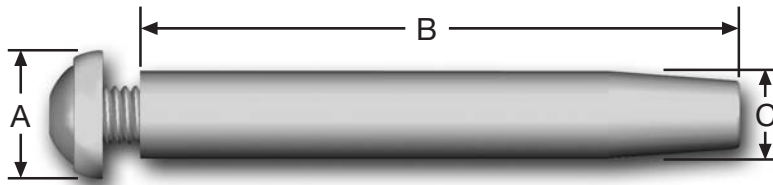
Combine the classic turnbuckle with the following fittings based on the length of run:

0-25 feet: Combine with the Fixed Stud

26-75 feet: Combine with the Turnbuckle Stud

Over 75 feet: Combine with another Classic Turnbuckle

DIMENSIONS



TURNBUCKLE STUD ASSEMBLY

4	Part #	Rope Size	A	B	C	Take-Up
	CE-418	3/16"	11/16"	3-7/16"	7/16"	1-1/2"
	CE-425	1/4"	13/16"	3-13/16"	9/16"	1-1/2"

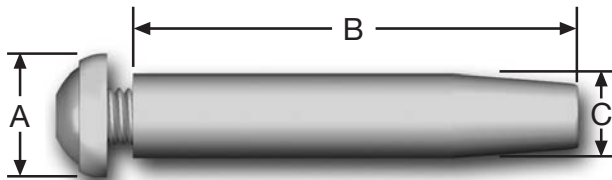
This tensioning fitting is used for straight runs of moderate length. For a clean look, the fitting is assembled inside the post. For assemblies with wooden posts, fender washers are necessary. (See "Replacement Parts".)

Combine the classic turnbuckle with the following fittings based on the length of run:

0-25 feet: Combine with the Fixed Stud

26-75 feet: Combine with the Turnbuckle Stud

Over 75 feet: Combine with another Classic Turnbuckle

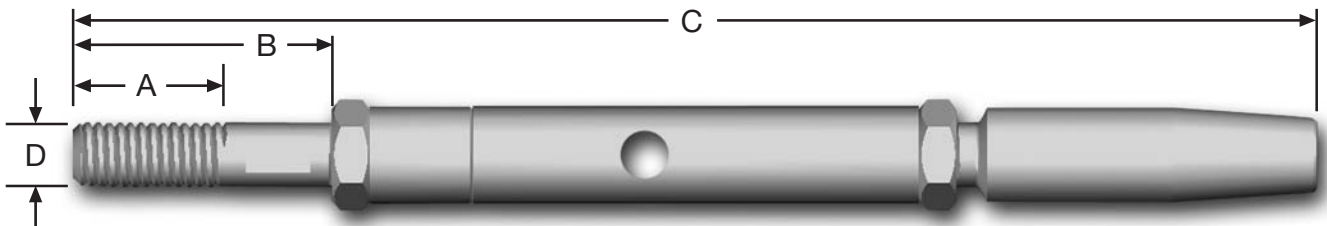


FIXED STUD ASSEMBLY

5	Part #	Rope Size	A	B	C
	CE-318	3/16"	11/16"	2-3/16"	7/16"
	CE-325	1/4"	13/16"	3"	9/16"

This non-tensioning fitting is used for straight runs.

For assemblies with wooden posts, fender washers are necessary. (See "Replacement Parts".)



CLASSIC TURNBUCKLE FOR CEMENT POSTS

6	Part #	Rope Size	A	B	C	D	Take-Up
	CE-418-CEM	3/16"	5/8"	1-1/2"	6-1/2"	1/2"-13	2-1/8"
	CE-425-CEM	1/4"	7/8"	1-1/2"	7-3/16"	1/2"-13	2-1/8"

This tensioning fitting is used to obtain a more substantial architectural look or for longer, straight runs of cable where a lot of take-up is required for proper tension (see below). This fitting is threaded into cement posts with a drop-in anchor system.

Combine the classic turnbuckle with the following fittings based on the length of run:

0-25 feet: Combine with the Fixed Stud;

26-75 feet: Combine with the Turnbuckle Stud;

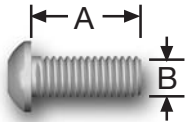
Over 75 feet: Combine with another Classic Turnbuckle.

REPLACEMENT PARTS



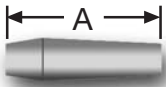
FENDER WASHER (used with all wooden post assemblies)

Part #	Rope Size
FW-518	3/16"
FW-525	1/4"



MACHINE SCREW (used for wood applications and applications with thicker posts)

Part #	Rope Size	A	B
SCR-518-2	3/16"	2"	5/16"-18
SCR-518-3	3/16"	3"	5/16"-18
SCR-525-2	1/4"	2"	3/8"-16
SCR-525-3	1/4"	3"	3/8"-16



PLUG

Part #	Rope Size	A
MEC-318	3/16"	13/16"
MEC-325	1/4"	1-1/8"



30-DEGREE FINISH GROMMET (used with 418ANG & 425ANG assemblies)

Part #	Rope Size
AFG-518	3/16"
AFG-525	1/4"



FINISH GROMMET (used with some 318, 325, 418, 425 assemblies)

Part #	Rope Size
FG-518	3/16"
FG-525	1/4"

ACCESSORIES

VICE-GRIP TENSIONING TOOL

Part #	Rope Size
VGT	One size fits all

Used to tension railing assemblies without damaging the cable and creating crimp marks on the cable or fittings.

TENSIONING GAUGE

Part #	Rope Size
CTG-1	One size fits all

Used to determine the proper tension.

ASSEMBLY KIT (includes block and driver)

Part #	Rope Size
AK-1	3/16"
AK-2	1/4"

Used to simplify the installation of railing assemblies.

WIRE ROPE UNLAY TOOL

Part #	Rope Size
UT-1	3/16" and 1/4"

Used to easily unlay the wire strands during assembly.



ELECTROLINE®
ARCHITECTURAL

1406 Fifth St. SW • Canton, Ohio 44702 • info@esmet.com
1-800-321-0870 • 330-452-9132 • Fax 330-452-2557
www.esmet.com